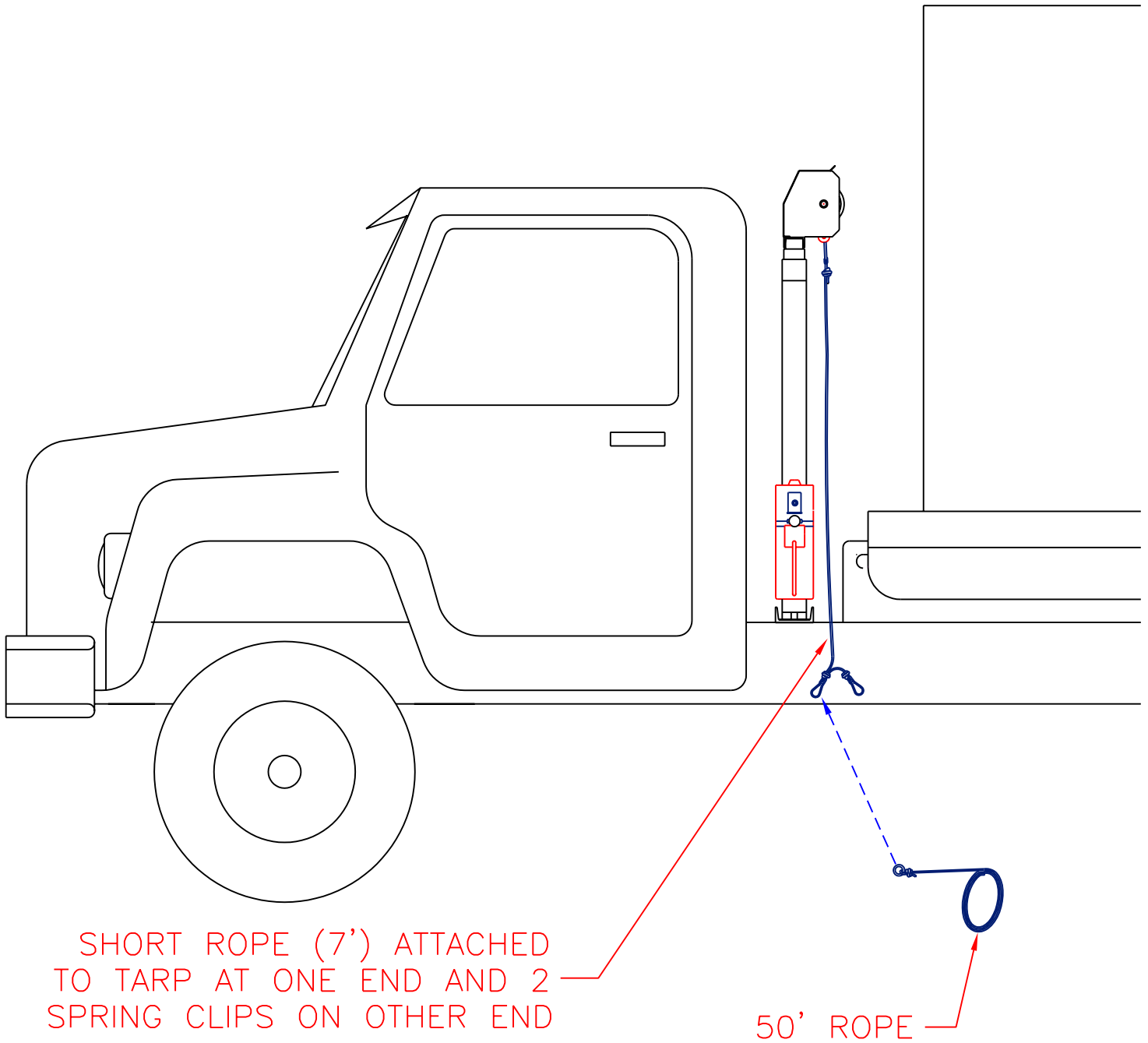
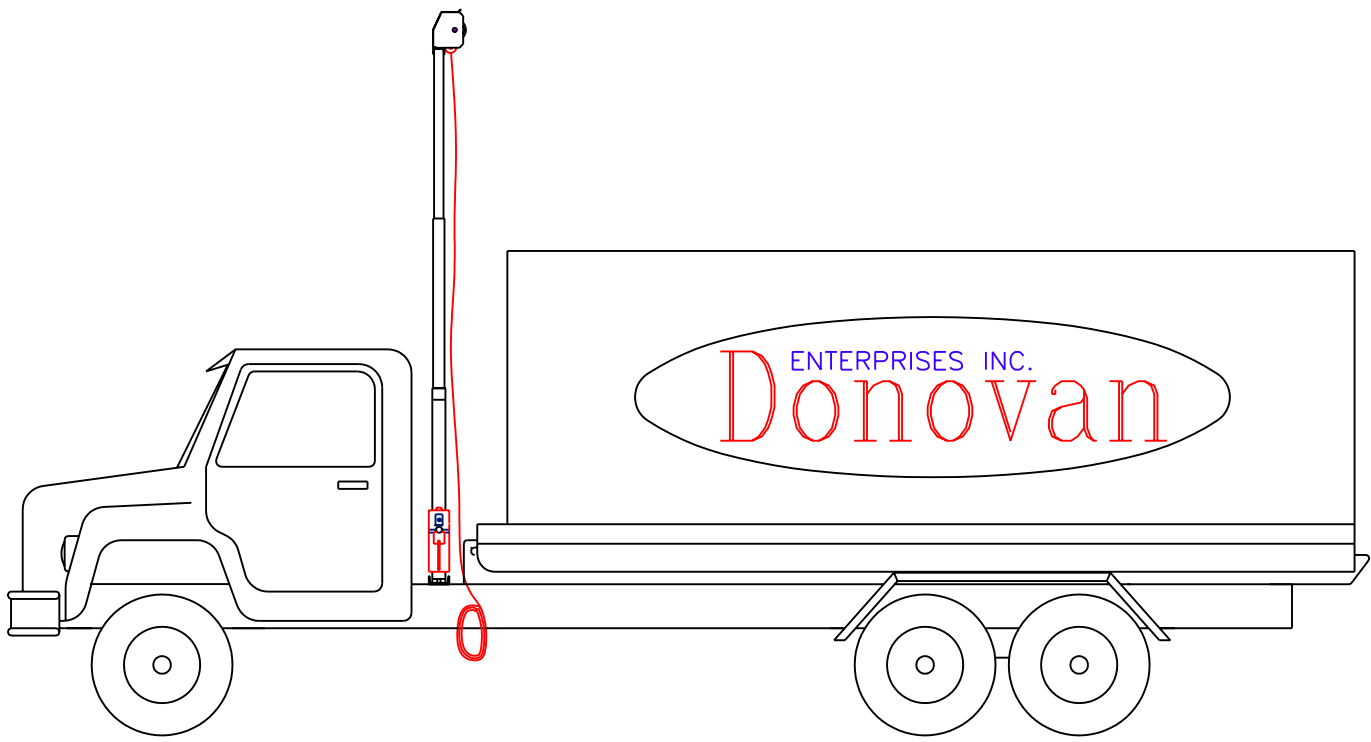


**OPERATING INSTRUCTIONS**

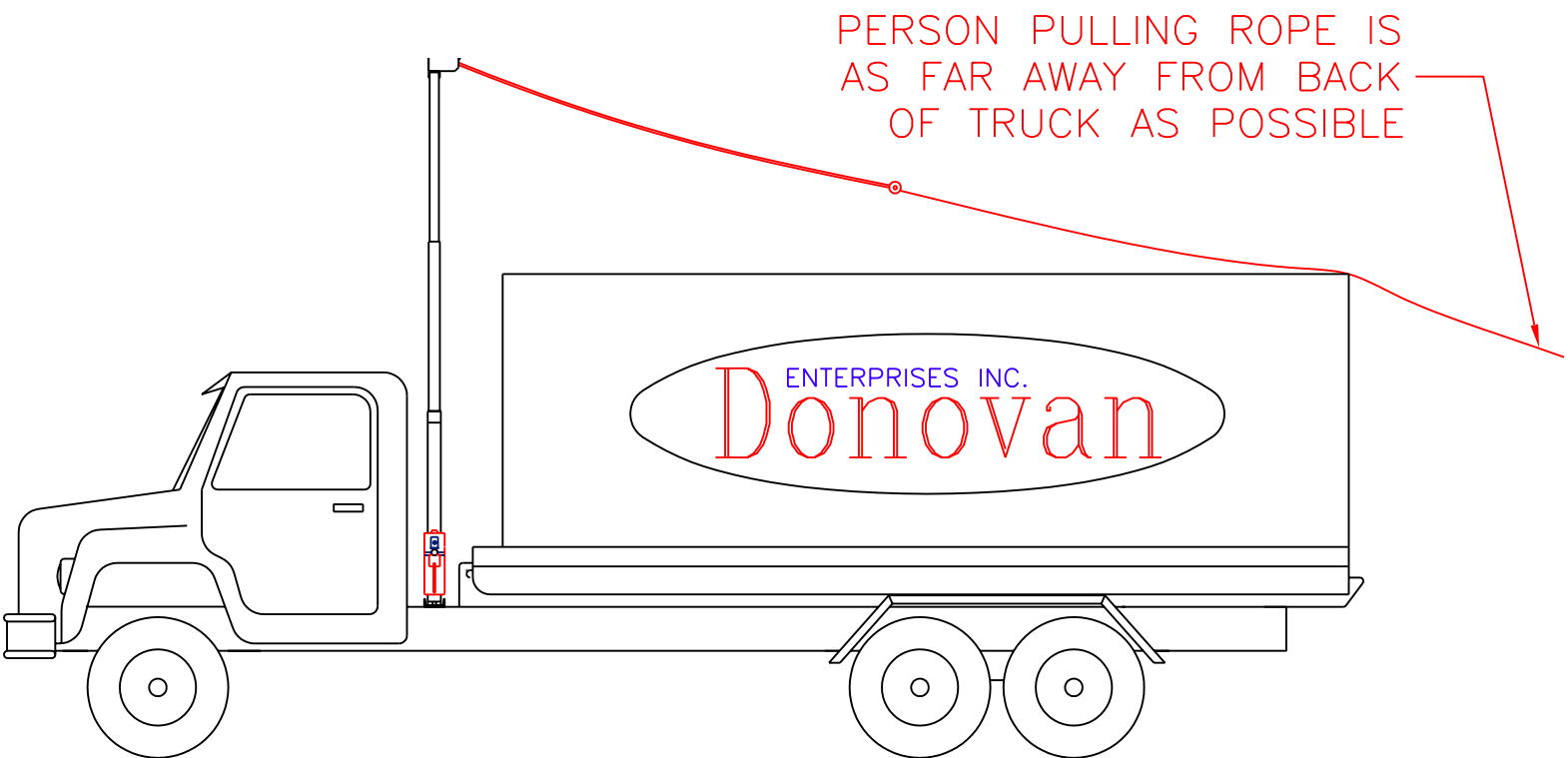


**COVERING INSTRUCTIONS**

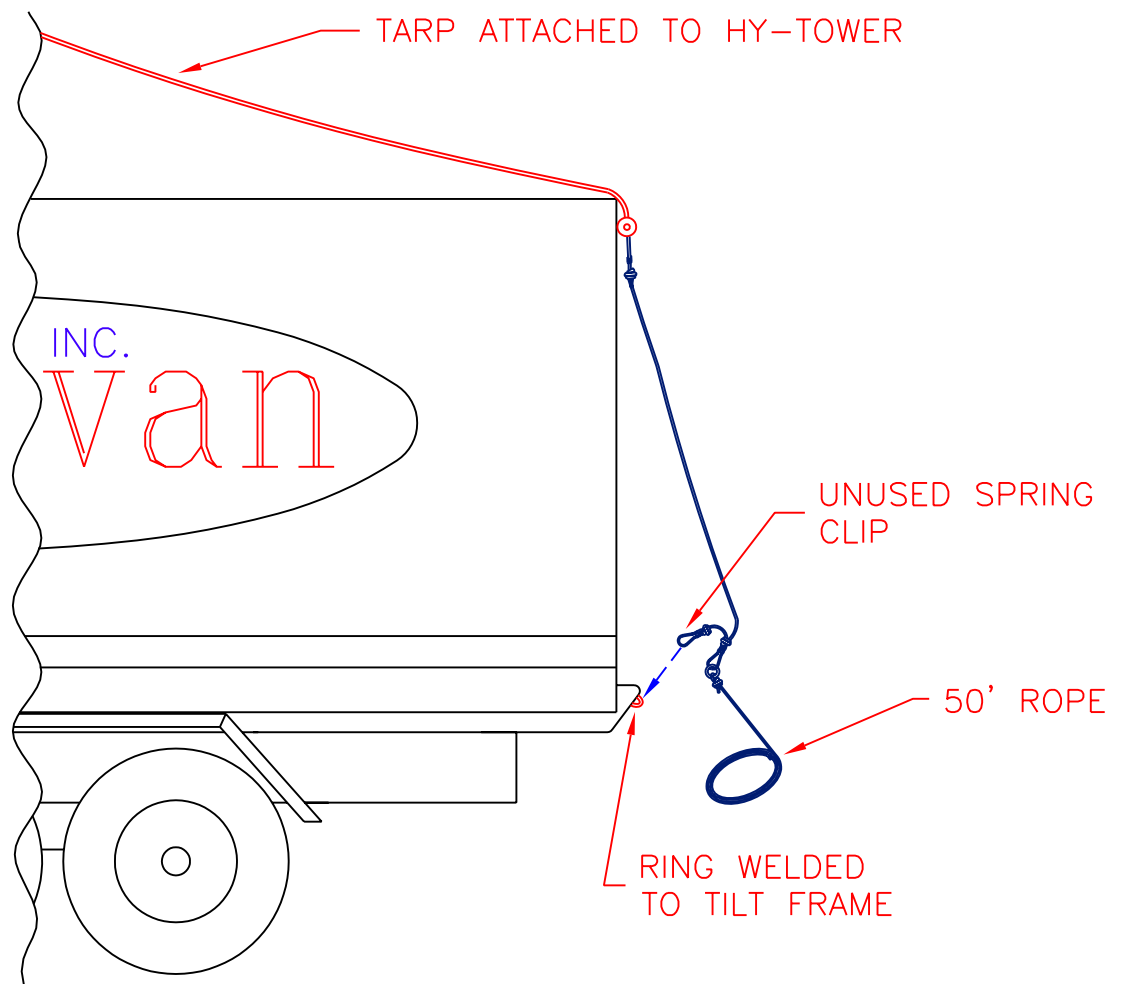
1. Prior to raising tower, clip ring on 50-foot pull rope to spring clip on short rope attached to tarp.



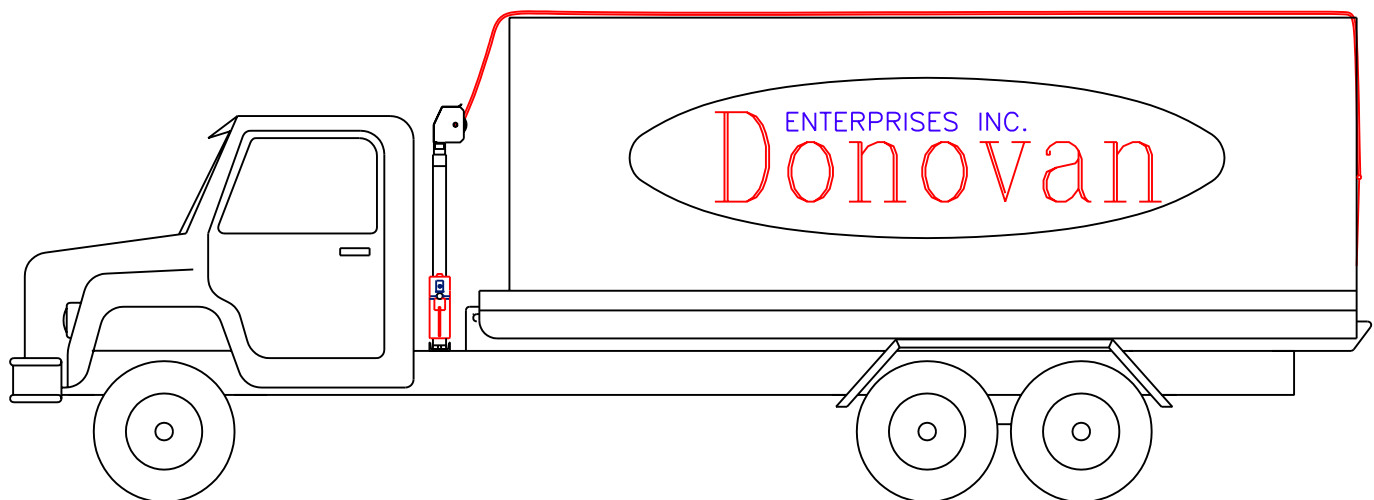
2. Use control valve to raise HY-TOWER™ to its maximum height, while allowing rope to extend with tower.



3. With rope in hand, walk to rear of truck to a position directly behind container as far back as rope will allow.
4. Pull tarp out so it completely covers container.

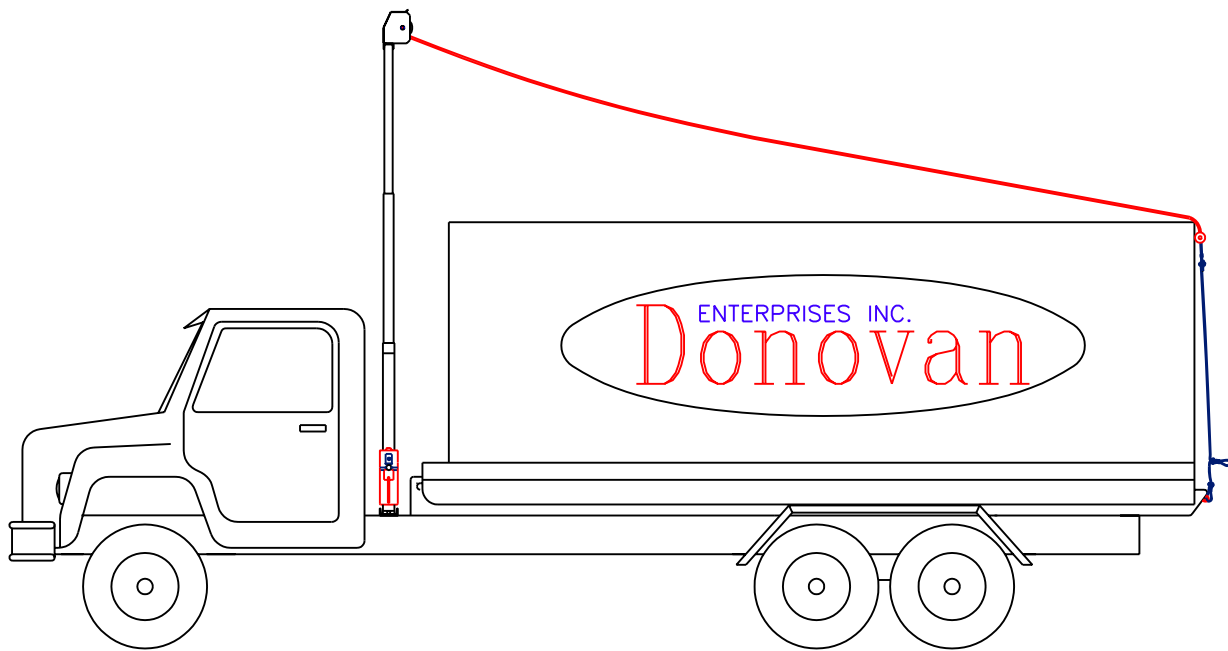


5. While maintaining tarp position over container, walk toward container until you are at rear of truck.
6. Clip the unused spring clip on short rope attached to tarp to the rear of the tilt-frame or container. Now the tarp is secured.
7. Detach the long (50') rope section and store it in cab of truck or in tarp box.



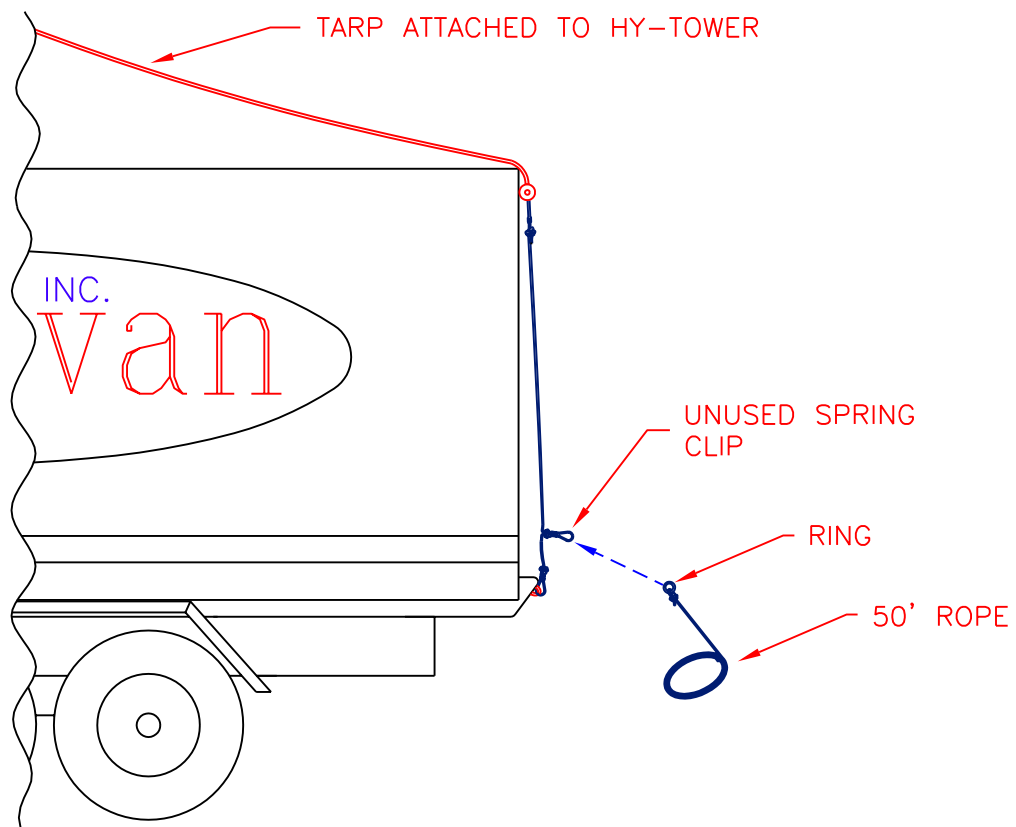
**NOTE: NEVER MOVE TRUCK UNLESS HY-TOWER™ IS IN THE FULLY RETRACTED POSITION.**

8. Lower HY-TOWER™ to its fully retracted position.



## UNCOVERING INSTRUCTIONS

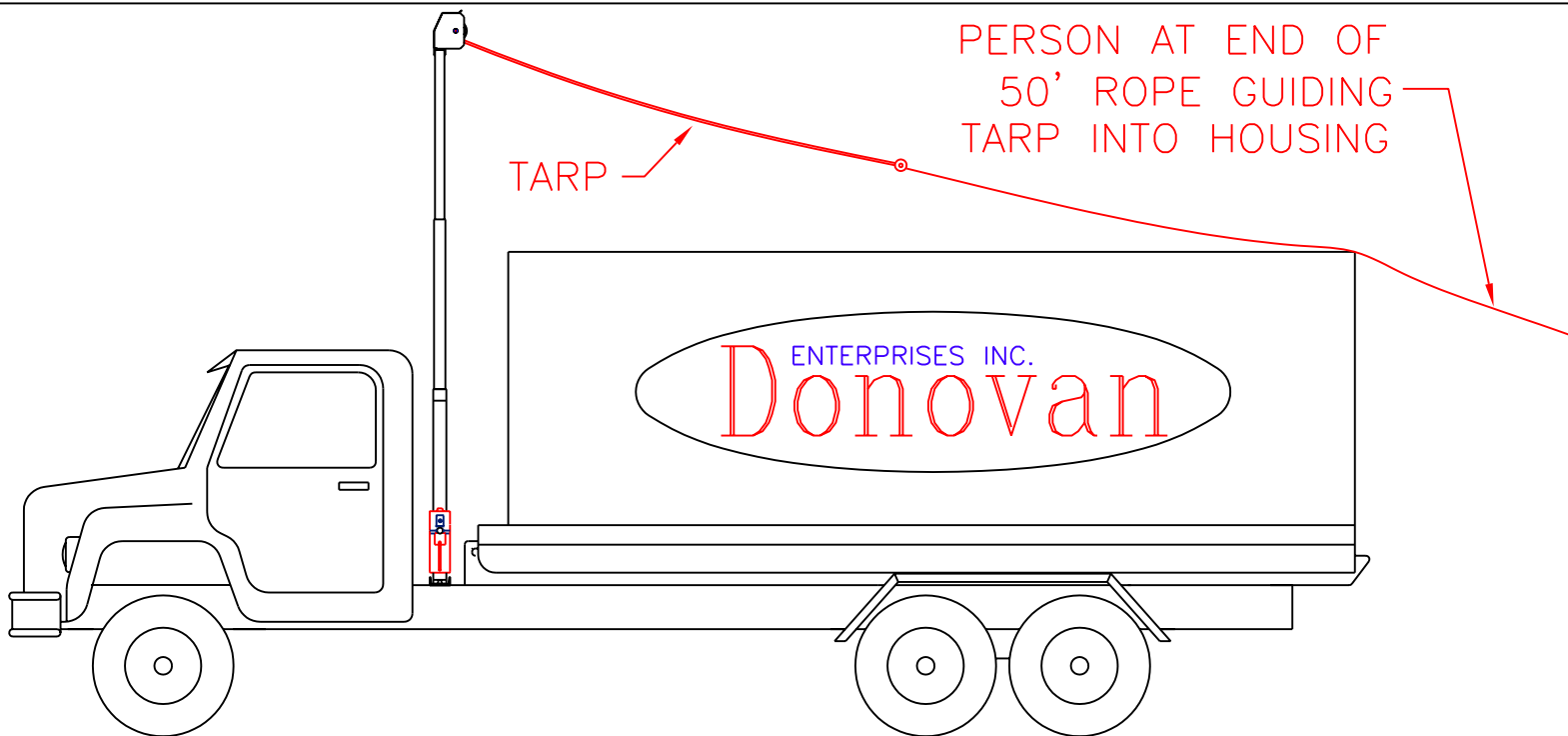
1. Use control valve to raise HY-TOWER™ to its maximum height.



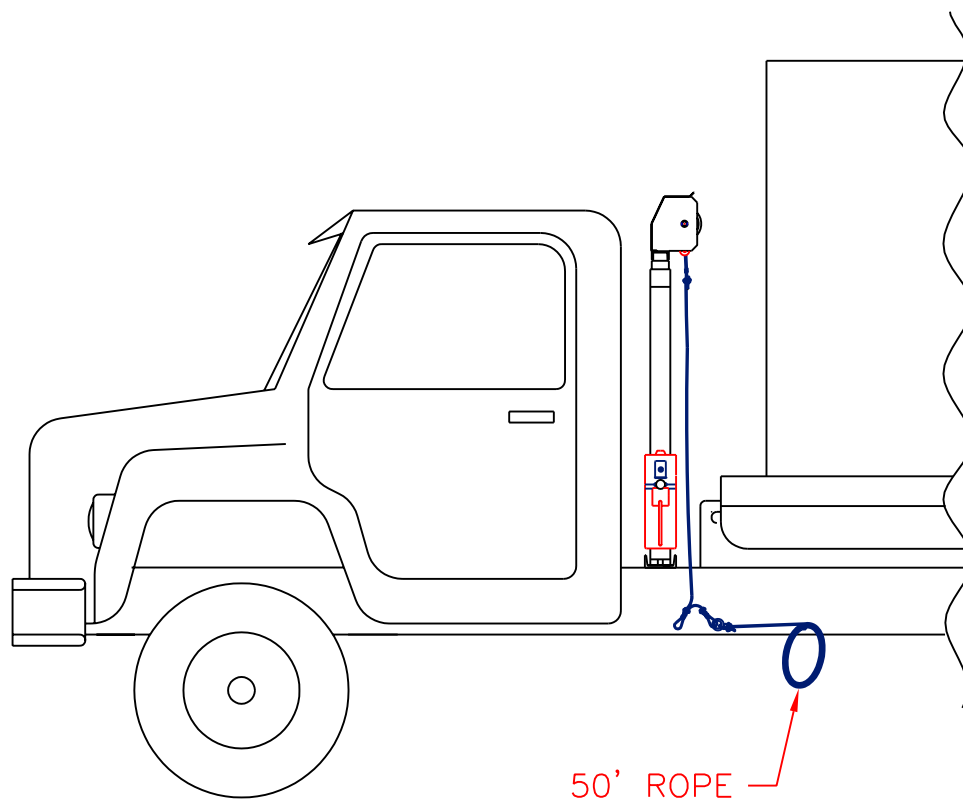
2. Clip ring on 50' pull rope to unused spring clip on short rope at rear of trailer.

**NOTE: Pulling down on 50' rope will take tension off of spring clip attached to back of truck. This will make it easier to disconnect spring clip from rear of truck.**

3. While holding 50' rope assembly securely, unclip spring clip from back of truck.



4. Use 50' rope to guide tarp as it rolls up into housing.



5. Using control valve, lower HY-TOWER™ to its fully retracted position.
6. Disconnect 50' rope and store it in truck cab or tarp box.
7. Attach spring clip to HY-TOWER™ housing to prevent short rope attached to tarp from swinging freely.