

# QUICK FLIP II



**Complete System Part # 4309-2**

## **Quick Flip II Hydraulic Front to Rear Tarping System**

### **Features**

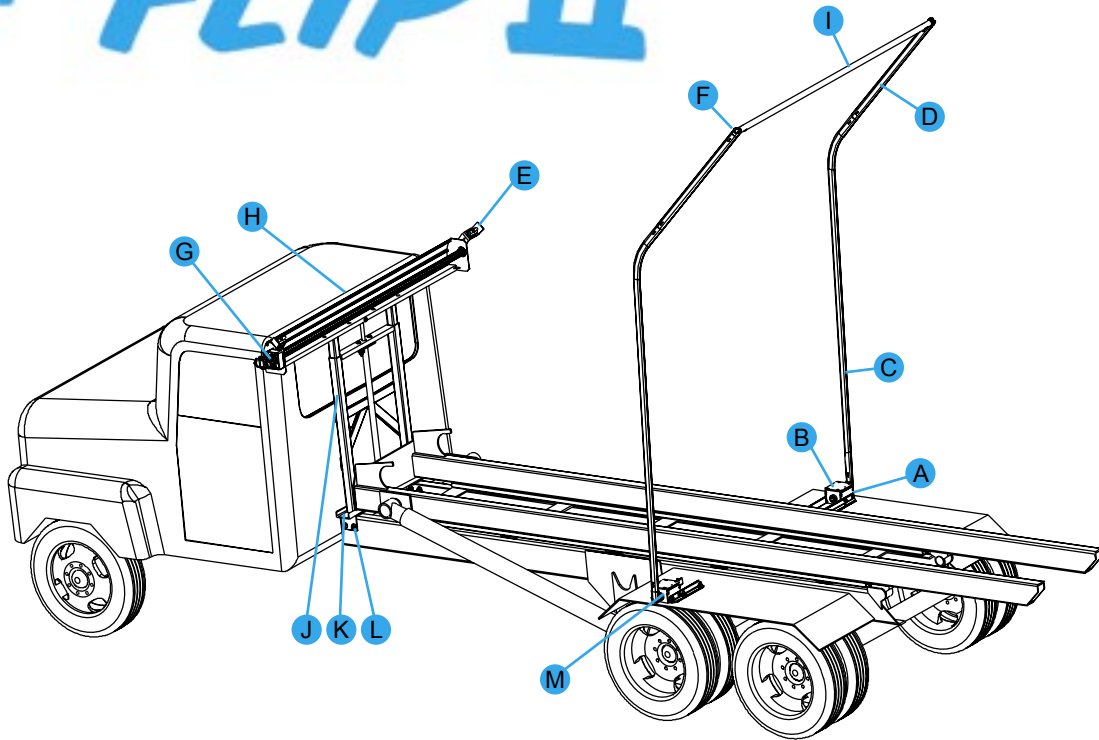
- Covers up to 40 cu. yard containers
- Unbreakable pivot arms
- Fully automatic operation
- Hydraulic powered gantry and tarp roller
- No cylinders on arms to get damaged
- Total system weight only 475lbs
- Mighty Mesh tarp comes standards

### **Also Available**

## **Quick Flip II (Electric) Part #4309-2EL**

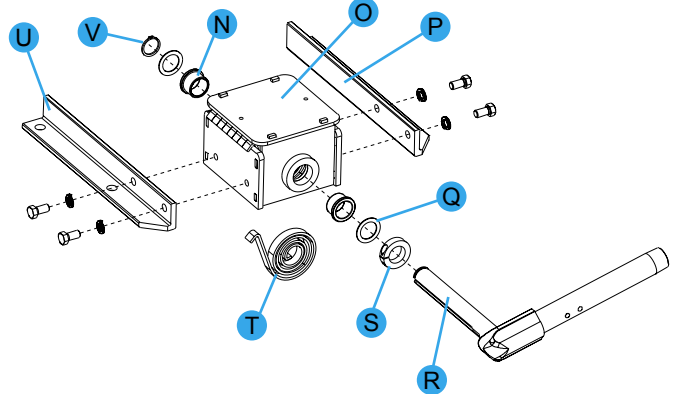
- Replaces #1827 hydraulic motor w/ #61L electric motor
- Replaces #1864 hydraulic valve kit w/ #4353 self-contained pump assembly

# QUICK FLIP II

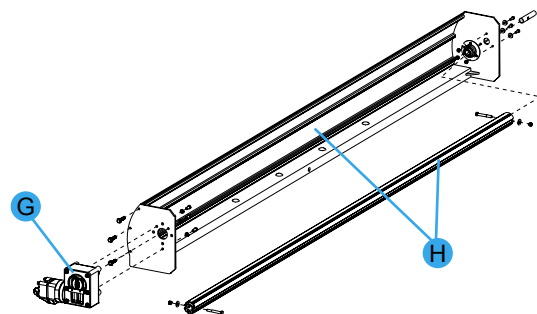


Part #	Qty	Description
<b>4309-2</b>		<b>Quick Flip II, Complete Kit</b>
A 1831	2	Spring Box Cover
B 1824	1	Spring Box Assembly - Curb
C 1805	2	40° Bent Lower Arm
D 1808	2	Upper Arm
E 3694	2	Pivot Arm Rest Weldment
F 1888	2	90 Degree Cast Elbow
G 1827	1	Hyd. Motor & Gear Box Assy.
H 1651HYD	1	Housing Assy. w/ Hyd. Motor & Roller Bar, Boxed
I 1806	1	Rear Cross Piece
J 4345	1	Base Assembly
K 2348	1	Mounting Channel
L 2347-5	2	Mounting Bracket
M 1823	1	Spring Box Assembly - Driver
N 2546	2	1 1/4" Id Flange Bearing
O 1802	1	Spring Box Weldment
P 1810	2	Mounting Angle #2
Q 2833	2	1 1/4 Id X .047 Shim Washer
R 971	1	Forged Pivot Arm Shaft
S 2547	1	1 1/4" Id, One Pc Shaft Collar
T 2416	9	Flat Coil Torsion Spring
U 1811	2	Mounting Angle #1
V 2834	1	Heavy Duty 1 1/4" Retaining Ring

## Torsion Spring Assembly

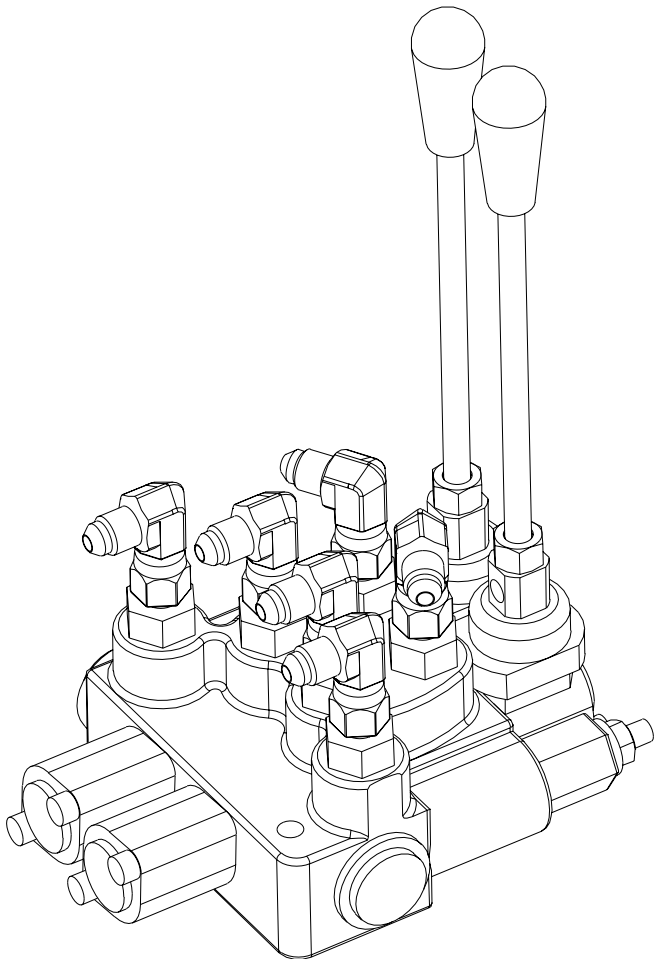


## Housing Assembly with Hydraulic Motor

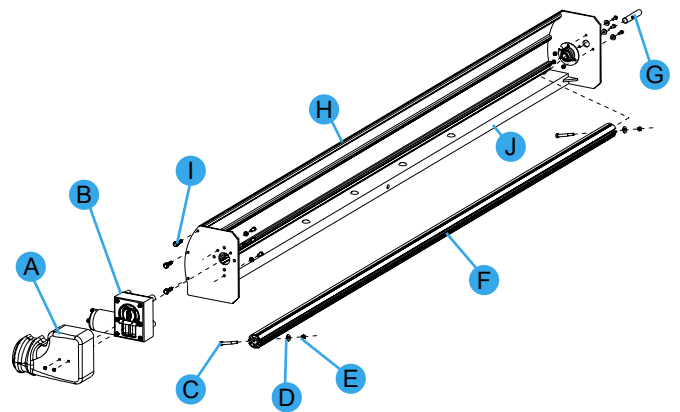


# QUICK FLIP II

## Two Spool Valve



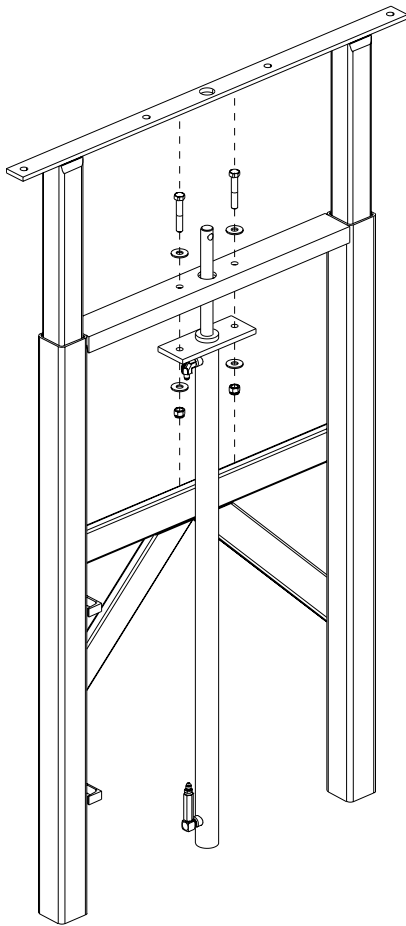
## Housing Assembly with Electric Motor



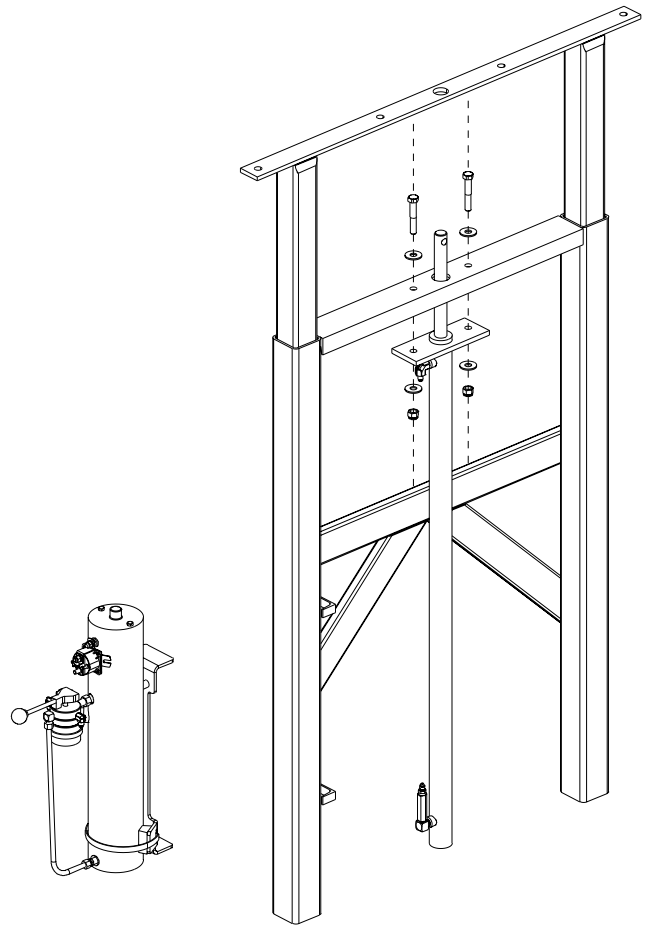
	Description	Part #
A	Motor	61L
B	Motor Cover	4278
C	5/16"-18 x 2.5" Gr 9, Bolt	2718
D	5/16" Washer	2867
E	5/16" Lock Nut	2868
F	Roller Bar	3807R
G	3/4" x 4" Extension Shaft	2838
H	Wind Deflector	1635
I	5/16" x 1.25" Self Thread Bolt	1576
J	Housing Weldment	1650

# QUICK FLIP II

## Base Assembly without Hydraulic Pump (for Quick Flip II)



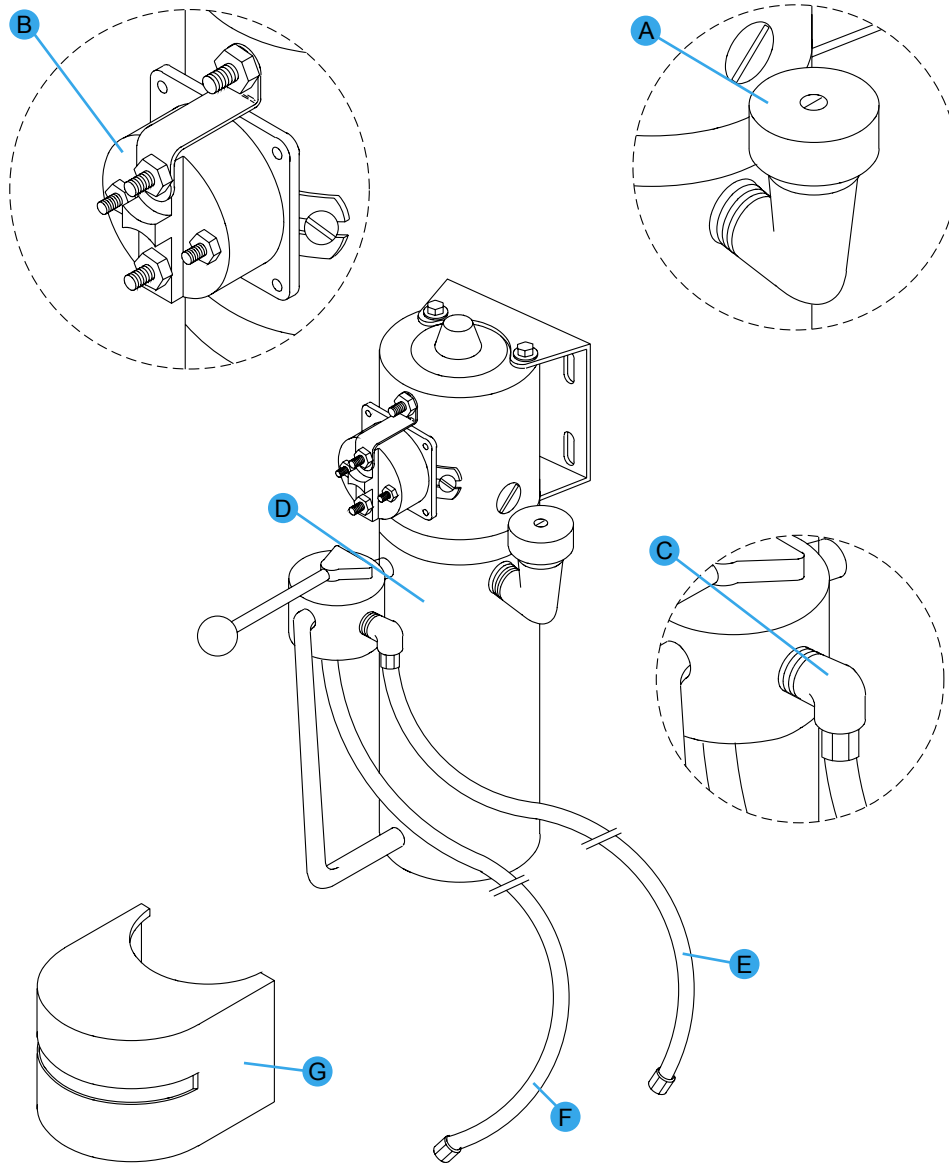
## Base Assembly with Hydraulic Pump (for Quick Flip II EL)



Description	Part #
<b>A</b> 1.75 GPM Pressure Flow Comp. Valve	2961
<b>B</b> Hydraulic Fitting, #4 Male JICE x 3/8", 90°	1090
<b>C</b> Hydraulic Cylinder	420
<b>D</b> 1/2"-13 Lock Nut	2877
<b>E</b> Hydraulic Fitting, 4MJ to 4MP, Straight	2960
<b>F</b> 1/2" Flat Washer	2878
<b>G</b> 1/2"-13 x 3" Bolt	2622
<b>H</b> Outer Stage Weldment	4342
<b>I</b> Hydraulic Fitting, 3/8" MP, 90°	2959
<b>J</b> Inner Stage Weldment	3344

# QUICK FLIP II

## Hydraulic Pump Assembly



Description	Part #	Description	Part #
<b>A</b> Breather Cap	3827	<b>E</b> 9" Hydraulic Hose Assembly	3296
<b>B</b> Hydraulic Motor Solenoid 12 Volt	7518	<b>F</b> 12" Hydraulic Hose Assembly	3295
24 Volt	7519	<b>G</b> Hy-Tower Solenoid Cover	2958
<b>C</b> Hydraulic Fitting	572		
<b>D</b> Hydraulic Pump Assembly 12 Volt	4353		
24 Volt	1313		

# QUICK FLIP



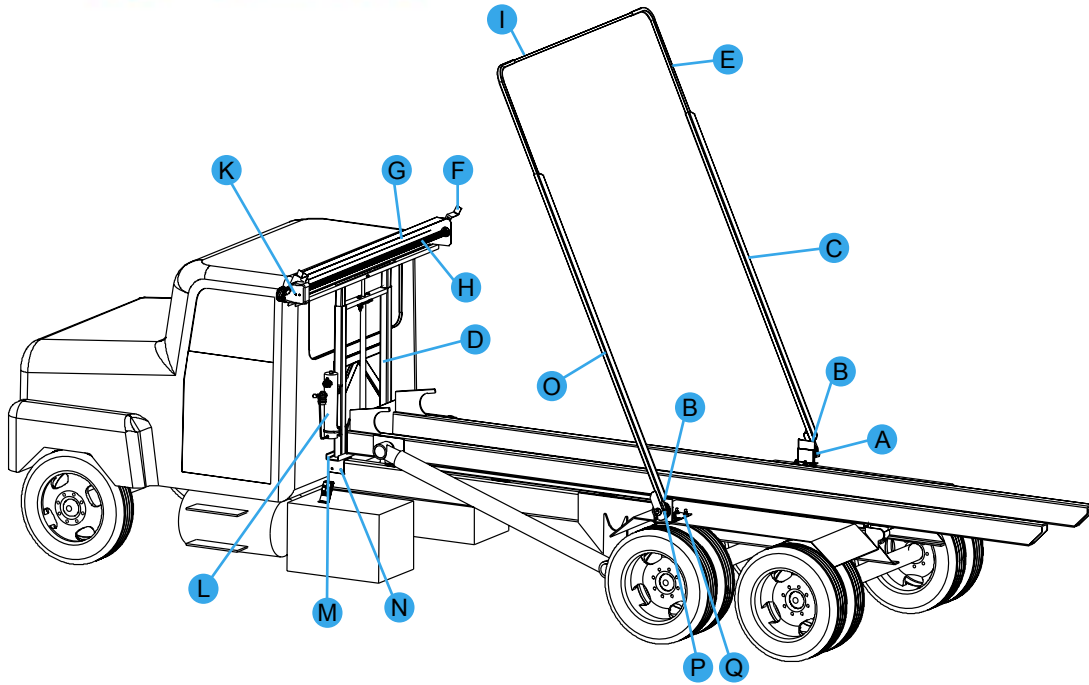
## Complete System Part # 4309

### **Quick Flip Front to Rear Tarping System**

#### **Features**

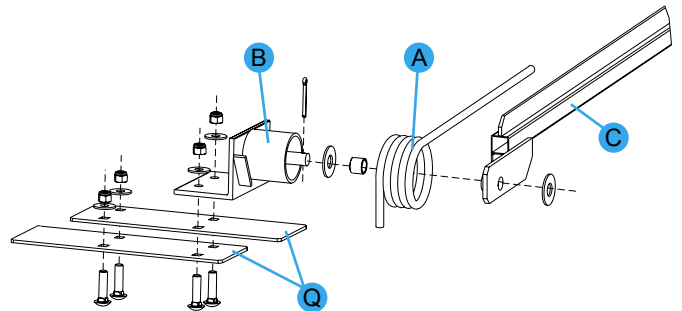
- Covers up to 40 cu. yard containers
- Heavy Duty steel pivot arms
- Fully automatic operation
- Hydraulic powered gantry
- Electric tarp return
- No cylinders on arms to damage
- Easy to use and maintain
- Repair / replace any pary of system in minutes to avoid truck down time

# QUICK FLIP

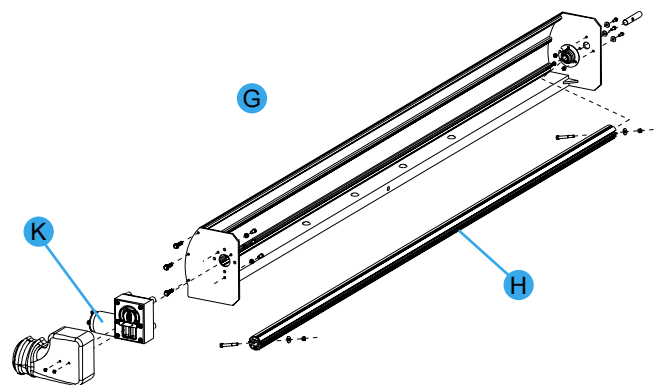


Part #	Qty	Description
<b>4309</b>		<b>Quick Flip, Complete Kit</b>
<b>A</b> 537	1	Torsion Spring, Passenger
<b>B</b> 1478	2	Pivot Mount
<b>C</b> 126	1	Pivot Arm, Passenger
<b>D</b> 4345	1	Base Assembly
420	1	Hydraulic Cylinder
4342	1	Outer Stage
4344	1	Inner Stage
<b>E</b> 1360	1	Upper Arm
<b>F</b> 4362	2	Arm Rest
<b>G</b> 1651	1	Housing Assembly
<b>H</b> 2365	1	Roller Bar
<b>I</b> 1348	1	Rear Cross Piece
<b>K</b> 4422	1	Motor
4278	1	Motor Cover
<b>L</b> 4353	1	Hydraulic Pump Assembly
<b>M</b> 2348	1	Mounting Channel
<b>N</b> 2347-5	4	Mounting Angle
<b>O</b> 112	1	Pivot Arm, Driver
<b>P</b> 427	1	Torsion Spring, Driver
<b>Q</b> 4358	4	Mounting Plate

## Torsion Spring Assembly

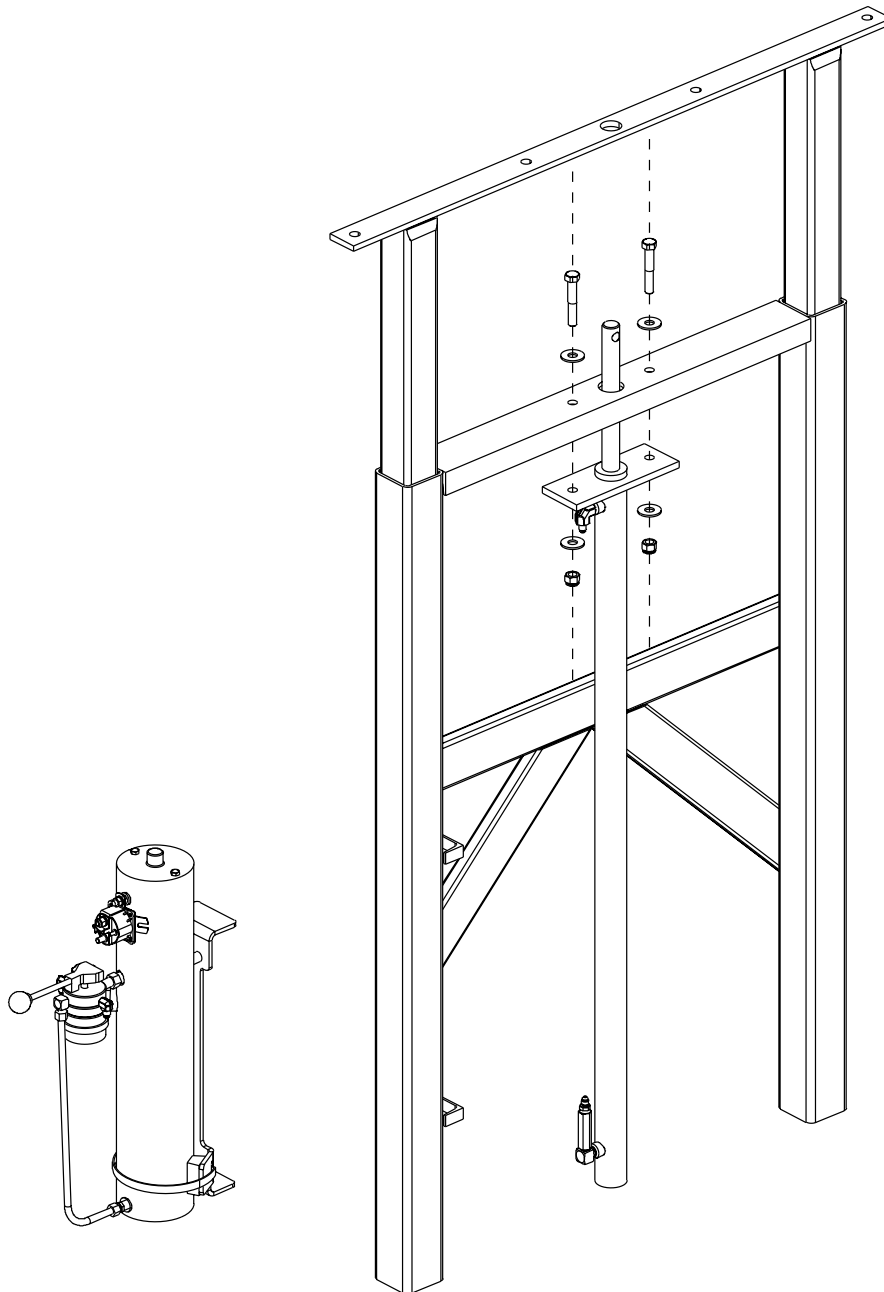


## Housing Assembly with Electric Motor



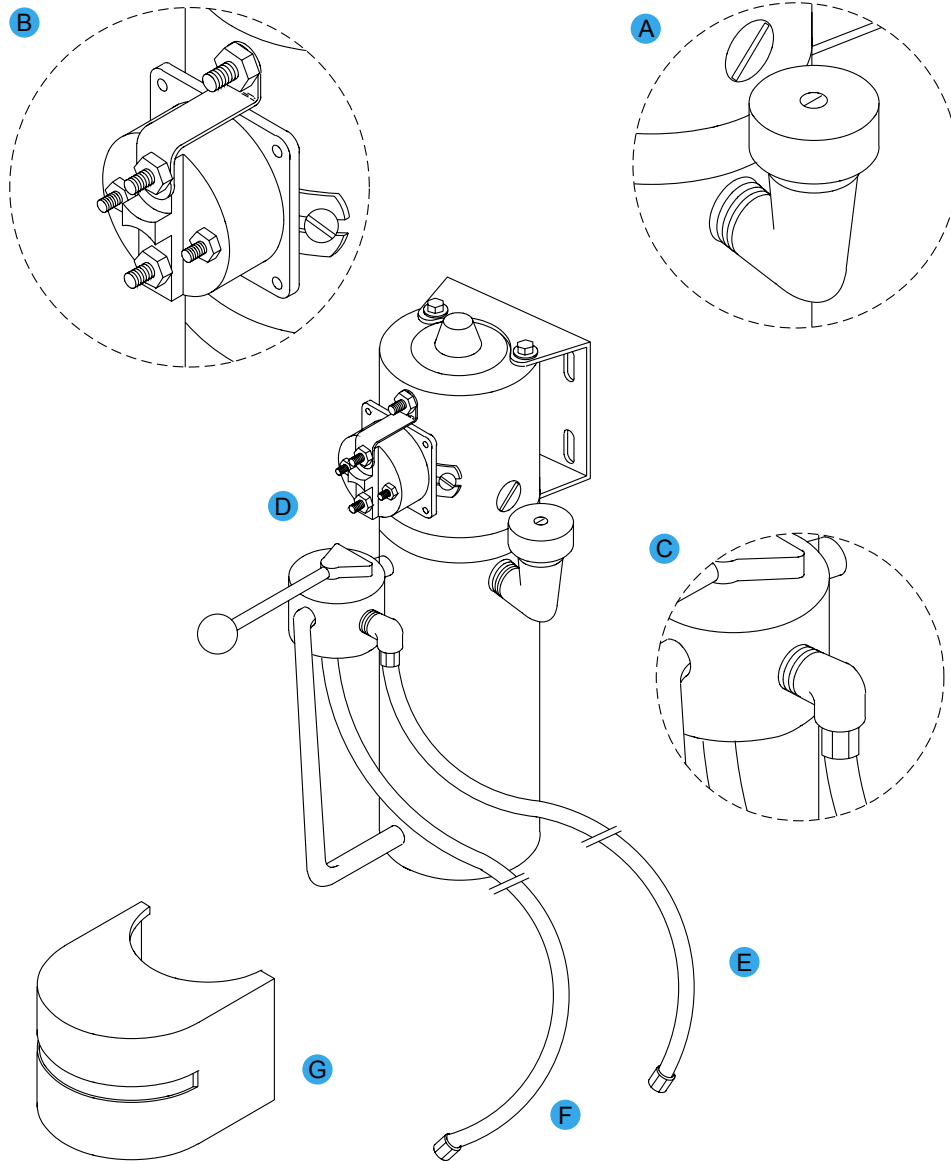
# QUICK FLIP

## Base Assembly with Hydraulic Pump



# QUICK FLIP

## Hydraulic Pump Assembly



Description	Part #	Description	Part #
<b>A</b> Breather Cap	3827	<b>E</b> 9" Hydraulic Hose Assembly	3296
<b>B</b> Hydraulic Motor Solenoid 12 Volt	7518	<b>F</b> 12" Hydraulic Hose Assembly	3295
24 Volt	7519	<b>G</b> Hy-Tower Solenoid Cover	2958
<b>C</b> Hydraulic Fitting	572		
<b>D</b> Hydraulic Pump Assembly 12 Volt	4353		
24 Volt	1313		