

QUICK FLIP

Conversion Kit

Go from manual... to **AUTOMATIC!**



Complete System Part # 4309C

Quick Flip Conversion Kit

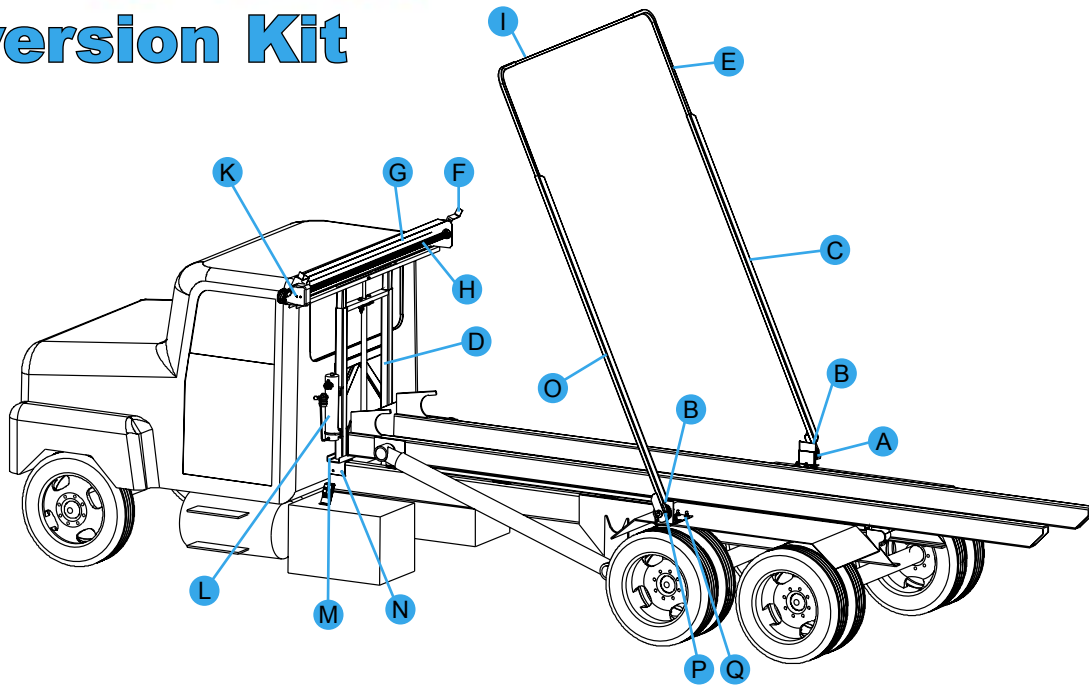
Features

- Convert your double leg Hy-Tower or other gantry system to an automatic system!
- Easy Installation!
 1. Remove the housing from existing Hy-Tower and replace with Quick Flip housing.
 2. Install spring mounts and Quick Flip arms per instructions.
 3. Connect electrical cables.
 4. Attach tarp to roller bar and rear cross piece.

It's that easy!

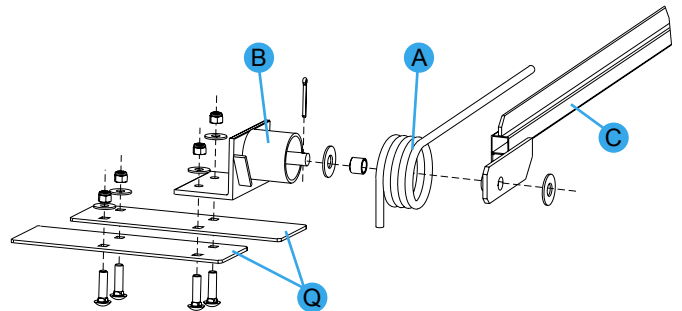
QUICK FLIP

Conversion Kit

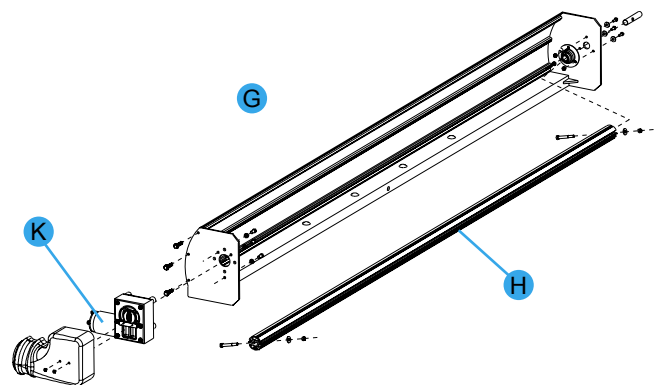


Part #	Qty	Description
4309C		Quick Flip Conversion Kit
A	1	Torsion Spring, Passenger
B	2	Pivot Mount
C	1	Pivot Arm, Passenger
D	1	Base Assembly
	1	Hydraulic Cylinder
	1	Outer Stage
	1	Inner Stage
E	1	Upper Arm
F	2	Arm Rest
G	1	Housing Assembly
H	1	Roller Bar
I	1	Rear Cross Piece
K	1	Motor
	1	Motor Cover
L	1	Hydraulic Pump Assembly
M	1	Mounting Channel
N	4	Mounting Angle
O	1	Pivot Arm, Driver
P	1	Torsion Spring, Driver
Q	4	Mounting Plate

Torsion Spring Assembly



Housing Assembly with Electric Motor



NOTE: Conversion Kit uses the existing gantry that is already installed on the truck. Refer to the Hy-Tower or Hy-Tower SL sections of this catalog for a breakdown of the base assembly and hydraulic pump parts, if applicable.